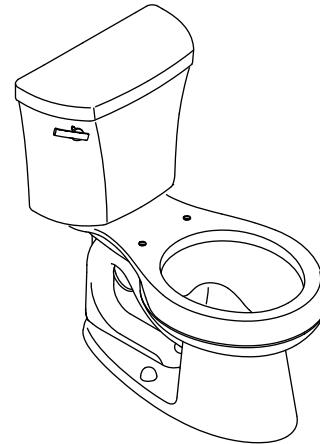


Features

- Vitreous china
- Round-front bowl
- Class Five® flushing system
- Polished chrome trip lever
- Less seat and supply
- 12" (305 mm) rough-in
- 1.6 gpf (6.0 lpf)
- 2-1/8" (54 mm) glazed trapway
- Optional tank cover locks
- 10-1/2" (267 mm) x 7-3/4" (197 mm) water area
- 27-3/4" (705 mm) x 18" (457 mm) x 29-1/4" (743 mm)



Codes/Standards Applicable

Specified model meets or exceeds the following:

- ASME A112.19.2/CSA B45.1
- Energy Policy Act of 1992

Colors/Finishes

- 0: White
- Other: Refer to Price Book for additional colors/finishes

Accessories

- 0: White
- CP: Polished Chrome
- Other: Refer to Price Book for additional colors/finishes

Specified Model

Model	Description	Trip Lever	Colors/Finishes	
K-3977	Class Five toilet (shown)	left-hand	<input type="checkbox"/> 0	<input type="checkbox"/> Other_____
K-3977-RA	Class Five toilet	right-hand	<input type="checkbox"/> 0	<input type="checkbox"/> Other_____
K-3977-T	Class Five toilet - tank cover locks	left-hand	<input type="checkbox"/> 0	<input type="checkbox"/> Other_____
K-3977-TR	Class Five toilet - tank cover locks	right-hand	<input type="checkbox"/> 0	<input type="checkbox"/> Other_____

Recommended Accessories

K-4639	Cachet® Quiet-Close™ seat with Quick-Release™ functionality	<input type="checkbox"/> 0		<input type="checkbox"/> Other_____
K-4689	Cachet toilet seat with cover	<input type="checkbox"/> 0		<input type="checkbox"/> Other_____
K-7637	Angle supply with stop – 3/8" NPT		<input type="checkbox"/> CP	<input type="checkbox"/> Other_____

Product Specification

The round-front bowl toilet shall be made of vitreous china. Toilet shall be 27-3/4" (705 mm) in length, 18" (457 mm) in width, and 29-1/4" (743 mm) in height with a 10-1/2" (267 mm) by 7-3/4" (197 mm) water area. Toilet shall be 1.6 gpf (6.0 lpf) with Class Five flushing system. Toilet shall have 2-1/8" (54 mm) glazed trapway. Toilet shall include polished chrome trip lever and optional tank cover locks. Toilet shall be 12" (305 mm) rough-in. Toilet shall be less seat and supply. Toilet shall be Kohler Model K-3977-_____ or K-3977-_____.

WELLWORTH®

Technical Information

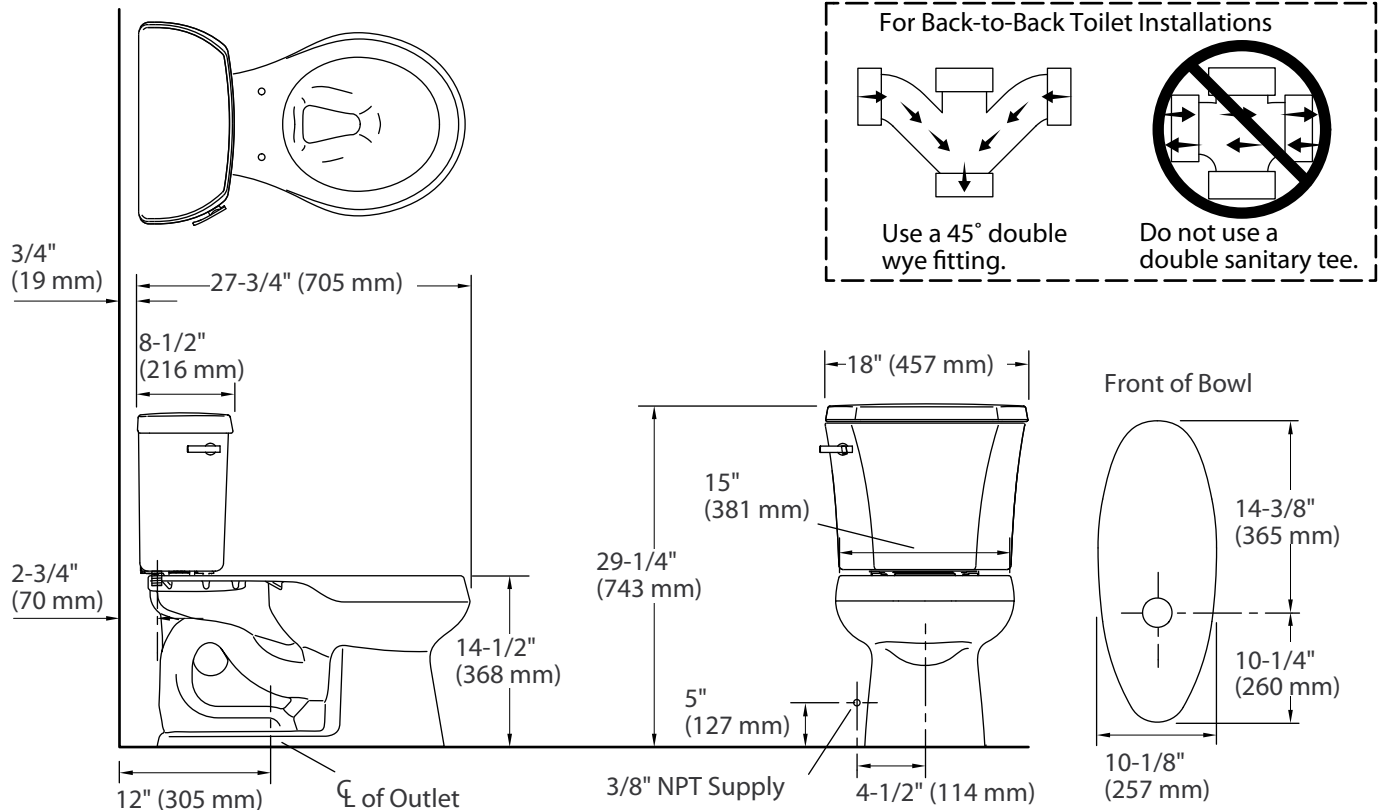
Fixture:	
Configuration	two-piece, round-front
Water per flush	1.6 gpf (6.0 lpf)
Passageway	2-1/8 (54 mm)
Water area	10-1/2 (267 mm) x 7-3/4 (197 mm)
Water depth from rim	5-1/4 (133 mm)
Seat post hole centers	5-1/2 (140 mm)

Included components:	
Bowl	K-4197
Tank	K-4468
Tank cover	1138565
Trip lever	K-9379
Bolt cap accessory pack	1013092

Installation Notes

Install this product according to the installation guide.

For back-to-back toilet installations: Use only a 45° double wye fitting.



Product Diagram